

METAGENICS FITNESS

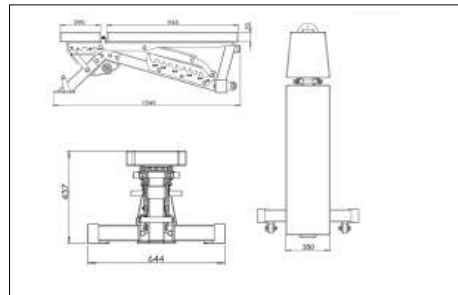
Free Weights & Plate Loaded Machines

MF-AB100-3 Multi bench



AB100-3

- Seat Pad : 0°, 15°, 30°
- Back pad : 0°, 15°, 30°, 37.5°, 45°, 52.5°, 60°, 67.5°, 75°, 88°



- Heavy duty multi-purpose bench Gauge 11 frame.
- Extremely stable bench with rear wheels and handle for portability.
- Back adjustment 10 angles, seat adjustment three angles without POP pin.
- Stainless steel adjustment rail which is very easy to operate.
- Hard polyurethane foam and antisweat vinyl to withstand heavy use.
- Weight: 55 kgs / 121 lbs. Maximum load: 600 lbs.
- Footprint: L53" W25" H(when flat):17".Total pad length:52".Total pad width: 11".
- Warranty: Frame; lifetime. Upholstery; 1 year.

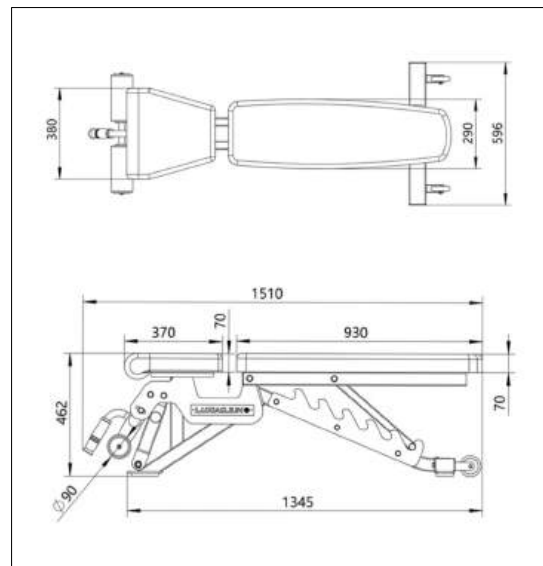
MF-AB400 Multi bench



AB400

Back Pad : -20°, 0°, 20°, 35°, 50°, 65°, 85°

Seat Pad : 0°, 5°, 10°, 15°, 20°



- Heavy duty multi-purpose bench Gauge 11, robust 3mm wall thickness.
- Extremely stable bench with rear wheels and handle for portability.
- Back adjustment seven angles, seat adjustment five angles with POP pin.
- Stainless steel adjustment rail which is very easy to operate.
- Hard polyurethane foam and antisweat vinyl to withstand heavy use.
- Weight: 55 kgs / 121 lbs. Maximum load: 600 lbs.
- Warranty: Frame; lifetime. Upholstery; 1 year.



MF-L1036 Flat Bench

N.W / G.W: 24 Kg / 35 Kg

Product Size: 1170*780*420 mm



MF-L1037 Adjustable Bench

N.W / G.W: 40 Kg / 60 Kg

Product Size: 1630*1120*820 mm



MF-L1038 Utility bench

N.W / G.W: 26 Kg / 40 Kg

Product Size: 720*920*920 mm



MF-L1040 Olympic Bench

Press

N.W / G.W: 78 Kg / 93 Kg

Product Size: 1250*1250*1270 mm

Plate holders 8



MF-L1041A Decline Olympic

Bench

N.W / G.W: 78 Kg / 95 Kg

Product Size: 1300*1730*1300 mm

Plate holders 8



MF-L1042A incline

Olympic Bench

N.W / G.W: 78 Kg / 95 Kg

Product Size: 1300*1480*1450 mm

Plate holders 8



MF-L1044 Scott Bench

N.W / G.W: 85 Kg / 105 Kg

Product Size: 1250*970*1090 mm



MF-L1045 Hyper Extension

N.W / G.W: 45 Kg / 65 Kg

Product Size: 1270*940*970 mm



MF-L1047 Dip/Leg raise

N.W / G.W: 45 Kg / 65 Kg

Product Size: 1270*940*970 mm



MF-L1048 Chin/Dip/Knee raise

N.W / G.W: 80 Kg / 100 Kg

Product Size: 1150*1270*2330 mm

Neutral and pronated chin up, triceps dips and vertical knee raise.



MF-L1049 Double Dumbbell Rack

N.W / G.W: 75 Kg / 105 Kg

Product Size: 2450*780*750 mm

10 pair rack for round dumbbells.



MF-L1051 Shoulder Bench

N.W / G.W: 95 Kg / 115 Kg

Product Size: 1300*1220*1680 mm



MF-L1055 Barbell Holder

N.W / G.W: 68 Kg / 88 Kg

Product Size: 1010*770*1450 mm

Barbell holder for 10 fixed bars.



MF-L1056 45 Degree Leg press

N.W / G.W: 245 Kg / 275 Kg

Product Size: 2520*1540*1355 mm

Plate holders 4 and 4 loading horns.

Three lock in anchors to accommodate different user sizes.



MF-L1057 Hack Squat

N.W / G.W: 198 Kg / 243 Kg

Product Size: 2295*1718*1566 mm

4 plate holders and 2 loading horns.



MF-L1063 Smith Machine

N.W / G.W: 246 Kg / 286 Kg

Product Size: 1250*2210*2370 mm



MF-L1065 V-Squat

N.W / G.W: 246 Kg / 286 Kg

Product Size: 1250*2210*2370 mm

Plate holders 4 and 2 horns for loading plates.



MF-L1067 Dumbbell Rack (15 pairs)

N.W / G.W: 58 Kg / 80 Kg

Product Size: 1375*745*965 mm

15 pair dumbbell rack for round dumbbells.



**MF-P858 45 Degree leg press /
Hack squat combo machine.**

N.W/ G.W.: 249 kg/269kg

Product size: 2440 * 1630 * 1340 mm